

Blower Purge Desiccant Dryers

Pneumatech Pride

Pneumatech has been manufacturing energy efficient desiccant dryers for 50 years. We are proud to introduce this new design blower purge heated dryer with low pressure drop, improved controls, compact design and many other features you have come to expect from Pneumatech.



PB-210 HE to PB-635 HE PB-850 to PB-4400

| Design standards | PB 210-635 HE | PB 850-4400 |
|------------------|---|---|
| Dew point | -40 °F/-40 °C or -100 °F/-70 °C | -40 °F/-40 °C |
| Pressure Range | 65-210 psi/4.5-14.5 bar | 65-150 psi/4.5-10 bar |
| Voltages | 460 V—1 ph—60 Hz | 460 V—1 ph—60 Hz |
| Controller | Purelogic™ controller | Purelogic™ controller |
| Technology | Blower purge | Blower purge |
| Usage | Continuous | Continuous |
| Transportability | Forklift slots | Forklift slots |
| Applications | Food & beverage, electronics, oil & gas, power generation | Food & beverage, electronics, oil & gas, power generation |

| Important features & benefits |
|---|
| Advanced Purelogic™ controller with full communication possibilities |
| Dew point dependent tower switching with no loss in energy during saturation process (optional DPD Package) |
| Lifting eyes and forklift slots for easy installation |
| Remote alarm for status information from a distance |
| Two layers of silica gel with water resistant silica on the bottom |
| Low watt density heater which results in energy savings |
| Low kW centrifugal heater for reduced power consumption |
| Removable stainless steel screens that can be easily removed |
| Butterfly switching valves with stainless steel disc for better efficiency |
| Oversized silencers with relief valves for lower noise level |
| Pressure relief safety valves to comply with strict safety standards |

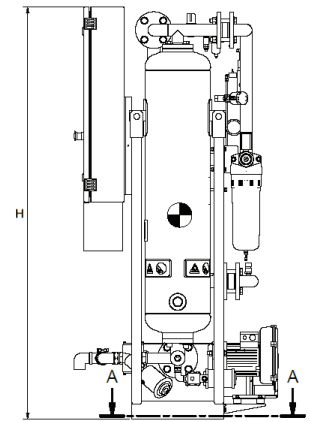
| Options | PB 210-635 HE | PB 850-4400 |
|--|-------------------------------------|-------------------------------------|
| Dew point demand package (DPD) | <input type="checkbox"/> | <input type="checkbox"/> |
| Optocoupler 4-20 mA Remote Dew point output | <input type="checkbox"/> | <input type="checkbox"/> |
| NEMA 4 | <input checked="" type="checkbox"/> | <input checked="" type="checkbox"/> |
| NEMA 4X | <input type="checkbox"/> | <input type="checkbox"/> |
| Pressure drop alarm (filters) | <input type="checkbox"/> | <input type="checkbox"/> |
| Reversed in and outlet pipe | <input type="checkbox"/> | <input type="checkbox"/> |
| Sonic nozzle | <input checked="" type="checkbox"/> | <input type="checkbox"/> |
| Blower filter kit | <input type="checkbox"/> | <input type="checkbox"/> |
| Insulated vessels (standard on -100 °F/-70 °C) | <input type="checkbox"/> | <input type="checkbox"/> |
| Pre- and after-filters | <input checked="" type="checkbox"/> | <input type="checkbox"/> |
| PDP -100 °F/-70 °C | <input checked="" type="checkbox"/> | <input type="checkbox"/> |

- Standard
- Optional
- Variant

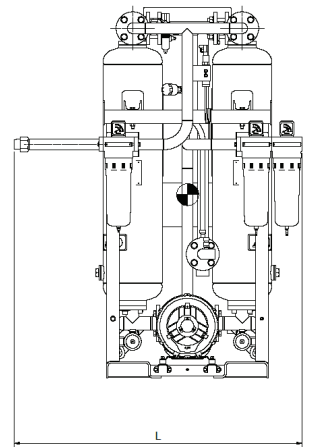


Technical data

| Model Number | SCFM Flow at -40°F PDP | SCFM Flow at -100°F PDP | In/Out Conn. Size (in) | Pressure Drop** (psid) | Heater & Blower kW** | Operating kW | Dimensions L x W x H (in) | Approx. Shipping Weight (lb) |
|--------------|------------------------|-------------------------|------------------------|------------------------|----------------------|--------------|---------------------------|------------------------------|
| | 232 psig* | 232 psig* | | | | | | |
| PB-210 HE | 212 | 170 | NPT 1.5 | 2.9 | 5.24 | 3.0 | 52 x 33 x 67 | 805 |
| PB-320 HE | 318 | 254 | NPT 1.5 | 2.9 | 5.24 | 3.0 | 55 x 38 x 67 | 1027 |
| PB-390 HE | 392 | 314 | NPT 1.5 | 2.9 | 7.16 | 5.0 | 55 x 38 x 67 | 1113 |
| PB-530 HE | 530 | 424 | NPT 2 | 2.9 | 9.44 | 5.5 | 58 x 39 x 71 | 1413 |
| PB-635 HE | 636 | 509 | NPT 2 | 2.9 | 9.44 | 5.5 | 61 x 43 x 72 | 1642 |



| Model Number | SCFM Flow at -40°F PDP | SCFM Flow at -100°F PDP | In/Out Conn. Size (in) | Pressure Drop** (psid) | Heater & Blower kW** | Operating kW | Dimensions L x W x H (in) | Approx. Shipping Weight (lb) |
|--------------|------------------------|-------------------------|------------------------|------------------------|----------------------|--------------|---------------------------|------------------------------|
| | 165 psig* | 165 psig* | | | | | | |
| PB-850 | 850 | 680 | ANSI 3 | 2.32 | 12.95 | 7.2 | 77 x 50 x 106 | 2700 |
| PB-1050 | 1050 | 840 | ANSI 3 | 2.32 | 14.05 | 8.9 | 77 x 50 x 106 | 2925 |
| PB-1220 | 1220 | 976 | ANSI 3 | 2.32 | 20.55 | 10.6 | 83 x 50 x 98 | 3625 |
| PB-1700 | 1700 | 1360 | ANSI 4 | 2.32 | 31.60 | 16.4 | 97 x 57 x 107 | 5325 |
| PB-2000 | 2000 | 1600 | ANSI 4 | 2.32 | 32.50 | 16.4 | 97 x 57 x 107 | 5800 |
| PB-2600 | 2600 | 2080 | ANSI 4 | 2.32 | 42.30 | 24.3 | 97 x 57 x 128 | 6775 |
| PB-3000 | 3000 | 2400 | ANSI 6 | 1.6 | 51.50 | 33.0 | 106 x 99 x 117 | 9025 |
| PB-3400 | 3400 | 2720 | ANSI 6 | 1.6 | 51.50 | 33.0 | 106 x 99 x 117 | 9500 |
| PB-4400 | 4400 | 3520 | C/F | <3.0 | C/F | C/F | C/F | C/F |



* Reference pressure for 165 psig design pressure is 100 psig (max 150 psig) and reference temperature is 100 °F inlet to dryer.
Reference pressure for 232 psig design pressure is 180 psig (max 210 psig) and reference temperature is 100 °F inlet to dryer.
** At 100 psig operating pressure and -40 °F PDP

Correction Factor Example

| Pressure | psig | 73 | 87 | 100 | 116 | 131 | 145 | 160 | 174 | 189 | 203 |
|---------------------|------|------|------|-----|------|------|------|------|------|------|------|
| | barg | 5 | 6 | 7 | 8 | 9 | 10 | 11 | 12 | 13 | 14 |
| Des Press: 232 psig | F1 | 0.75 | 0.88 | 1 | 1.13 | 1.25 | 1.38 | 1.50 | 1.63 | 1.75 | 1.88 |

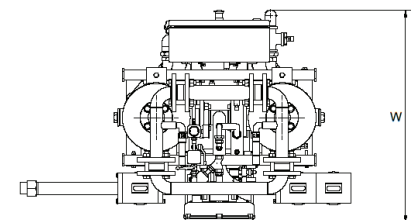
| Inlet temperature | F | 68 | 77 | 86 | 100 | 104 | 113 | 122 |
|-------------------|----|----|----|----|-----|------|------|------|
| | C | 20 | 25 | 30 | 38 | 40 | 45 | 50 |
| -40 °F (AA) | F2 | 1 | 1 | 1 | 1 | 0.84 | 0.71 | 0.55 |

| Dew Point | F | -40 | -100 |
|-----------|----|-----|------|
| | C | -40 | -70 |
| | F3 | 1 | 0.8 |

Max inlet flow for below conditions of PB-530 HE:

130 psig inlet pressure,
104 °F inlet temperature,
-40 °F point target

$$\text{Nominal flow} = F1 * F2 * F3 = 530 * 1.25 * 0.84 * 1 = 556 \text{ cfm}$$



Pneumatech reserves the right to change or revise specifications and product design in connection with any features of our products. Such changes do not entitle the buyer to corresponding changes, improvements, additions or replacements for equipment previously sold or shipped.

© 2016 Pneumatech. All rights reserved.

Pneumatech

1800 Overview Drive

Rock Hill, SC 29730 USA

1-800-336-2285

www.pneumatech.com/us/en/

